



NATURAL CUTLERY & CONDIMENT CADDY 215X165X230

SKU: CCUPLY215165230NAT

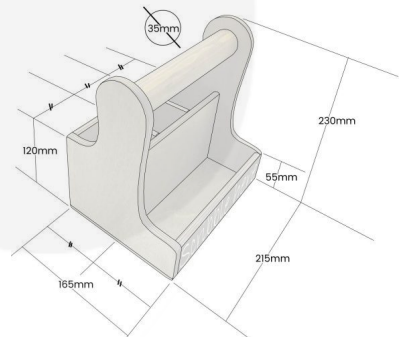
£24.26 Excl. VAT

- Robust design - hardy for frequent use
- Multi functional - for both cutlery & condiments
- Chunky 35mm handle - for even greater ease of use & comfort
- Range of finishes - match your designs
- Indoor or outdoor use - versatile to your needs

GALLERY IMAGES



Ply Cutlery & Condiment Caddy | 215x165x230



NATURAL CUTLERY & CONDIMENT CADDY 215X165X230

The Natural Cutlery & Condiment Caddy 215x165x230 is ideal for restaurants, cafes and pubs. It is invaluable for the table service of condiments, sauces and cutlery.

It is also known as a table caddy or cutlery caddy. We have robustly designed the caddy for frequent use from 9mm ply. It has a 35mm diameter handle for greater ease of use and comfort. We recess the handle into the ply for greater strength. The caddy has a condiment well at 60mm depth and a taller well on the opposite side separated by a middle partition for supporting cutlery. The Cutlery well is subdivided into 3 equal compartments.

It's great for both indoor and outdoor use. If you prefer a slightly longer version you may like the [Rustic Cutlery & Condiment Caddy 250x165x230](#)

Available in a selection of rustic finishes this caddy will match your environment. [See our full range of caddies here](#)

ADDITIONAL INFORMATION

Weight	0.9 kg
Dimensions	215 × 165 × 230 mm
Colour	Natural
Finish	Lacquered
Wood	Plywood
Options & Features	Customisable
Handle	Integrated